

**Important**

1. Keep the manual properly; it is an indispensable part of the product. Please read through the installation, safety and maintenance directions and warnings carefully and retain them for future reference.
2. Ice Machine is a business machine, only applicable to its designed purposes. Any inappropriate usage or misuse may involve danger and the manufacturer will not be responsible for any consequences caused by such usage.

一、 Installation instructions

**Important**

This product can only be fixed according to the operation rules and by a proper qualified person.

1. Open boxes

**Warning**

Keep the packaging material (such as plastic bags and EPS) away from the kids.

**Warning**

Remove all the packaging materials including paper boxes for transportation and the tape. Any packaging material left inside the ice maker may cause accidents.



- 1) Please check if the ice maker is damaged after removing the packaging. Should you have any doubts or problems, stop installing and contact a proper qualified person.
- 2) Remove the tape used for fixing the icemaker door.
- 3) Rip off the protection plastic. If the ice maker is overexposed in the sun or in high temperatures, remove the plastic used for protection after the icemaker cools down.
- 4) Take out and check the components kit.
 

|                      |                         |
|----------------------|-------------------------|
| a) Water supply tube | d) Water discharge tube |
| b) Ice scoop         | e) Filter               |
| c) Footings          | f) Plastic connectors   |

2. Installation environment

**Important**

1. The ice maker is not for outdoor use. The normal applied temperature is 2°C–40°C. The normal water supply temperature is 3°C–35°C. An overtime use beyond the temperature limits will affect the production volume.
2. Keep the ice maker away from heat sources such as ovens, stoves or other equipments.
3. Install the ice maker on sturdy level ground.
4. For ventilation and maintenance, a 15cm gap must be maintained between the appliance sides, rear and top and the wall.
5. The ice maker should not be installed in a damp or humid environment with dripping water.
6. No objects should be put on top of the ice maker and in front of the ventilation grille.
7. Do not start the ice maker in an environment below 0°C and drain the water in it in case of damage to water supply tube.

3. Installation

\*Improper or wrong ways of installation may cause damage to people, animals and the equipment. The manufacture is not responsible for this kind of damage.

- \*Please install the ice maker in a fixed position.
- \*The ice maker must be installed where the mains lead is within reach.

4. Electrical Connections

**Important**

This ice maker must be connected with earthed electrical supply. This ice maker must be connected with earthed electrical supply according to the electrical safety standards in the country or region where it is installed in case of any equipment damage or electric shock. Please pull the mains electricity lead off the socket before maintenance or cleaning.

- \*The appliance must be connected to 220–240 Voltage
- \*The appliance is protected with a maximum 5A fuse. The fuse must be changed by a proper qualified person.
- \*The installation should be conducted by a professional electrician or an authorized person.
- \*The mains electricity lead and power cable must be changed by a qualified person.

5. Water Supply and vent

- \*The ice maker only uses edible water.
- \*The water supply pressure is 0.5–8 bar. Reducing valve must be installed when the pressure is over 8 bars to prevent a twisted water supply tube.
- \*In some regions, the installers of water supply and discharge equipments must have plumber credentials.
- \*Water should be discharged into an open drain.
- \*Keep enough slope and gap because the water is discharged by force of gravity.
- \*In order to prevent the drain off water flow back to ice storage, Please connect water discharge tube ( as in diagram 2).

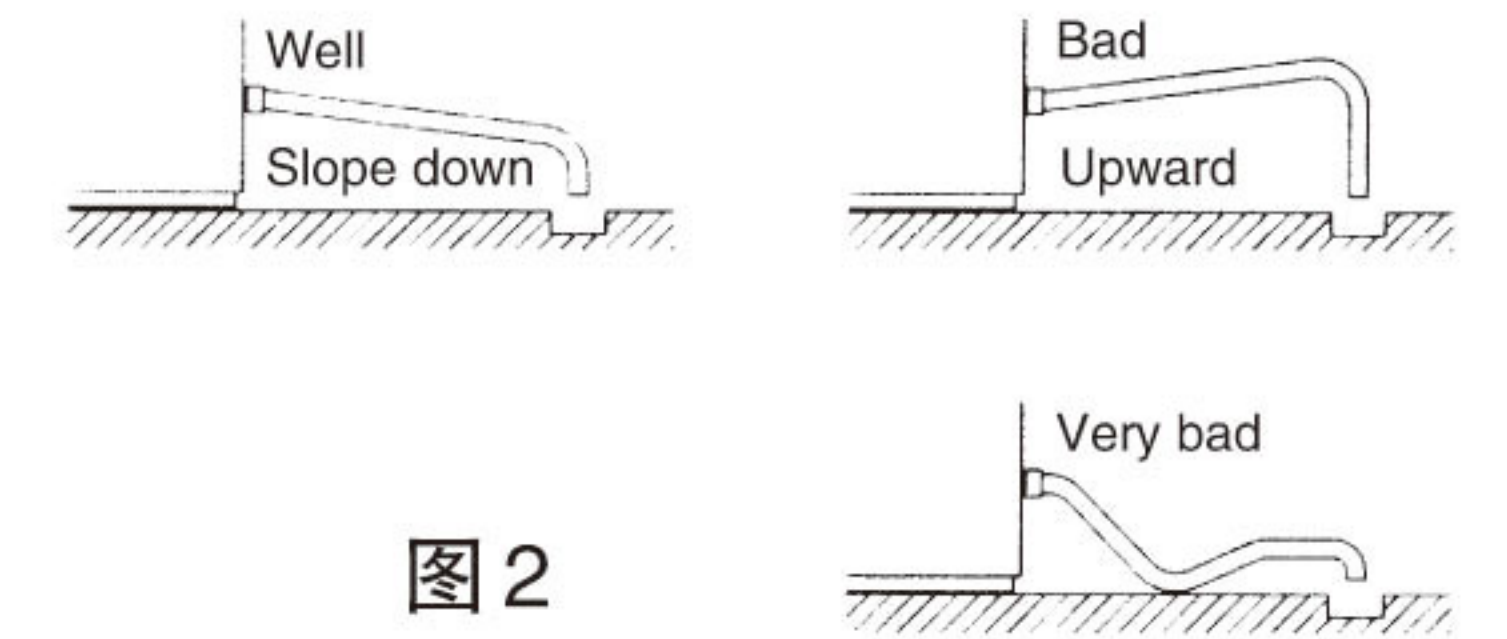


图 2

- 1) Connect one end of the tube with the water tap (as in diagram 4). Make sure the plastic padding is fixed in the right position before connection. It is advised to install a stop valve in a reachable position.
- 2) Connect the black drain tube with the holes in the back of the ice maker and make sure the rubber padding are fixed in the right position in case of water leaks at the connection position. The drain tube can be cut to appropriate length according to the position of the main discharge hole. Fix the discharge hose to the discharge hole with a hose clip in case of leaks.

p.s. the connection parts of the hose must conform to edible water standards.

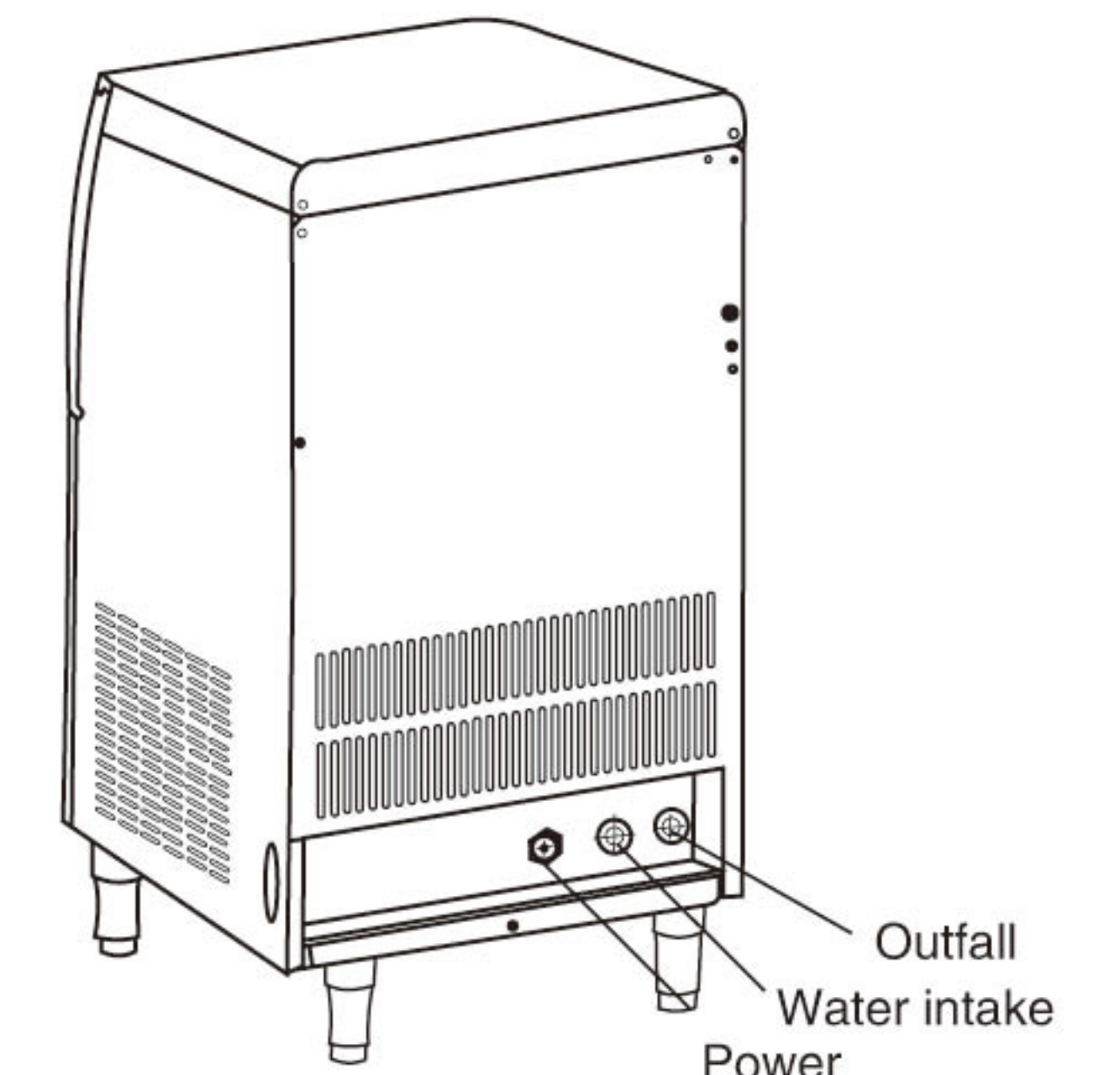


图 3

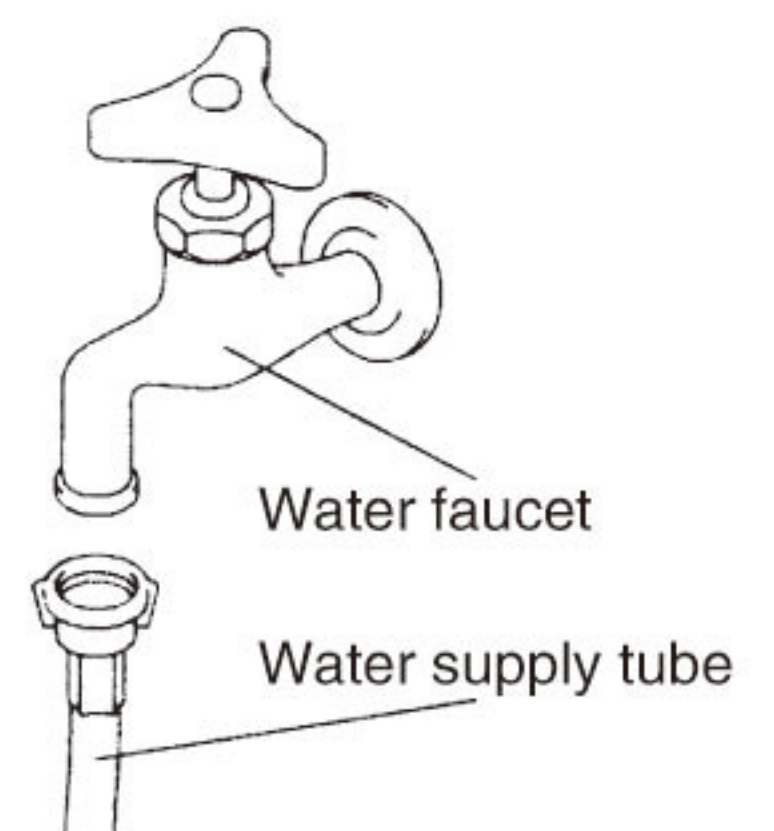


图 4



## 1. Operating instructions

### Important

- This ice maker produces and preserves edible ice cubes. In order to keep the ice maker clean, the following things are required:
  - Wash hands before taking ice cubes and use the ice scoop.
  - The ice cube basket can only be used for storage of ice cubes.
  - Clean the ice cube basket before use.
  - Keep the ice scoop clean and wash it with neutral detergent.
  - Close the basket door after each take of ice cubes to prevent dust and flies into it.
- Basic rules for any electrical appliance:
  - High degree of humidity will increase danger of short circuit and electric shock. Cut the electricity off should you encounter any doubts.
  - Do not pull the mains electricity leaf hard.
  - This ice maker is prohibited from use by unguarded kids, aged and disabled people.
- All components and parts have been tested and adjusted at the factory. Improper testing or adjustment may cause faults.
- The ice maker should be restarted 3 minutes after it is turned off to prevent compressor damage.

## 1. Operation

The ice maker is preset to automatically make ice after you start it. For continued operation, please make sure:

- You turn on the water supply tap.
- The ice maker is connected to the mains electricity.
- The controlling switch is on "ice making".

## 2. Long period of time not to use

- Make sure the controlling switch is on "off".

- Pull off the electricity leaf or cut off power.
- Turn off the water supply tap and remove the water supply pump.
- Take all the ice cubes out and clean the ice cube basket.
- Disconnect the silica hose to drain the water out and then re-connect it to the right position.



## 2. Maintain

### Warning

- Cut off power (electricity) before any cleaning or maintenance.
- The condenser should be checked and cleaned at least once a year by a trained maintenance person.
- The ice maker cannot be cleaned with spraying water.
- Do not clean or sterilize the ice maker with detergent containing alcohol. It may cause crack in the plastic parts.
- The top plate or the ventilation grille can only be dismantled by qualified maintenance professionals.

## 1. Shell

Clean the shell of the ice maker with clean cloth at least once a week. Clean grease and dust with wet cloth of neutral detergent.

## 2. Clean and sterilize the ice scoop and door handles (every day).

- Clean with a solution with a proportion of 11ml 5.25% sodium hypochlorite to 3L Water or with detergent recommended by our company.
- Immerse the ice scoop in the solution for at least 3 minutes, rinse it completely with water and dry clean.
 

p.s. cleaning the scoop with cloth may cause re-pollution.
- Wash the door handles with neutral detergent and rinse clean with water.
- Wipe the door handles with cloth soaked with the solution, rinse with water and dry clean.

## 3. Clean and sterilize the inside of the ice cube basket (every week).

- Open the door of the ice cube basket and take out all the ice cubes.
- Wash the inside shell with neutral detergent which does not contain fine granules and rinse clean with water.
- Clean the inside with a cloth soaked in neutral detergent and then wipe it off with dry cloth.
- Clean with a solution with a proportion of 11ml 5.25% sodium hypochlorite to 3 l water or with detergent recommended by our company.
- Wipe clean the inside shell and door of the basket with a sponge or cloth soaked in the solution.
- Wipe off all the solution with clean cloth and close the door.

p.s. Some solution may cause damage to the surface of the inside shell or corrode metal parts. All the solution must be completely wiped off after cleaning unless our company has specific requirements.

## 4. Air Filtering Screen

The plastic filtering screen in the ice maker is used to block the dust in the air and prevent a blocked condenser, which may affect the quality of the ice.

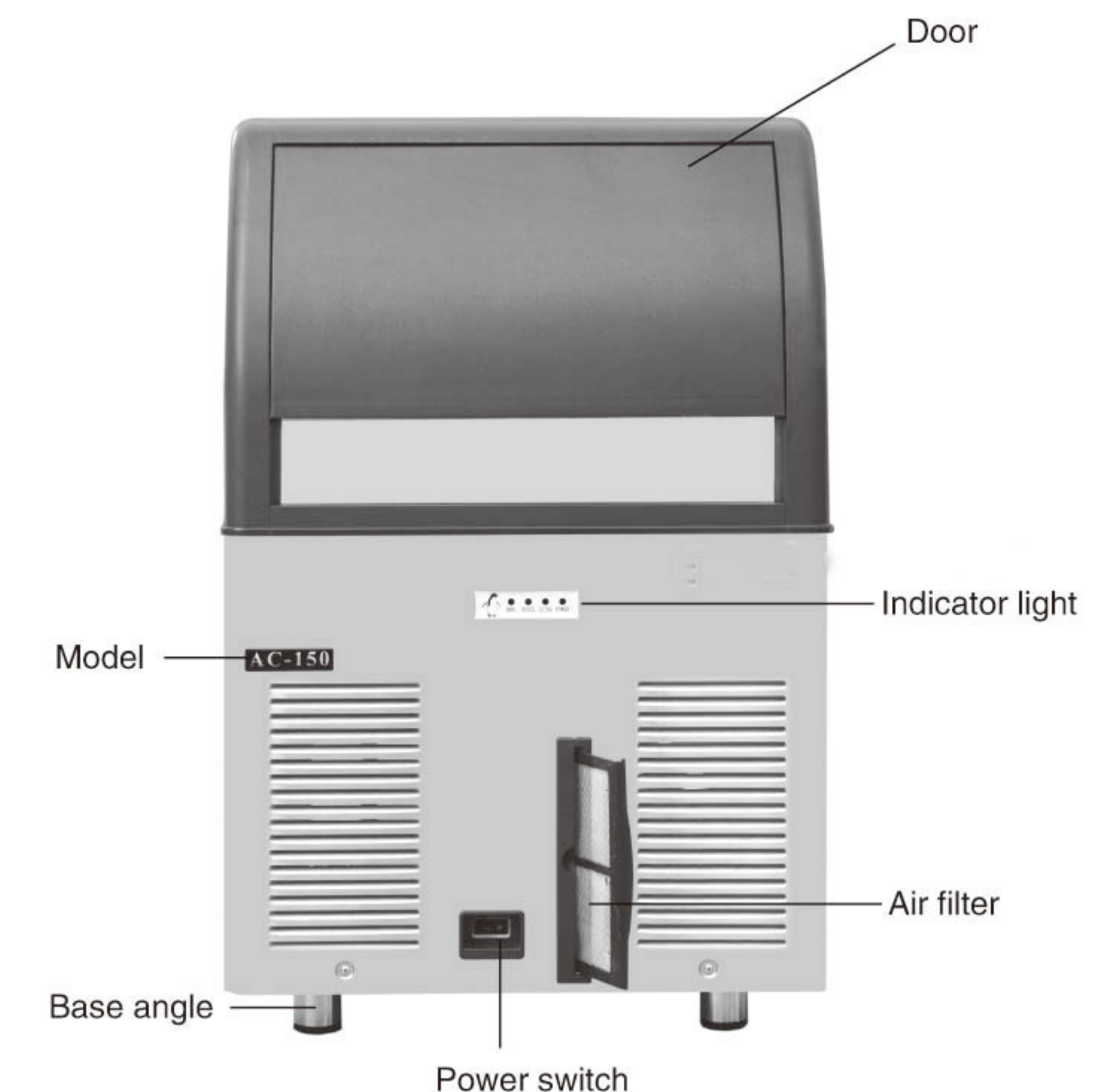
The filtering screen should be taken off and cleaned at least twice a month.

- Take off the filtering screen. (Do not put your hands inside the ice maker.)
- Clean the filtering screen with a vacuum cleaner. Clean with neutral detergent if it is seriously blocked up.
- Wash off the detergent with water, dry clean and prefix it to the right position.

## 5. Water Circuit System

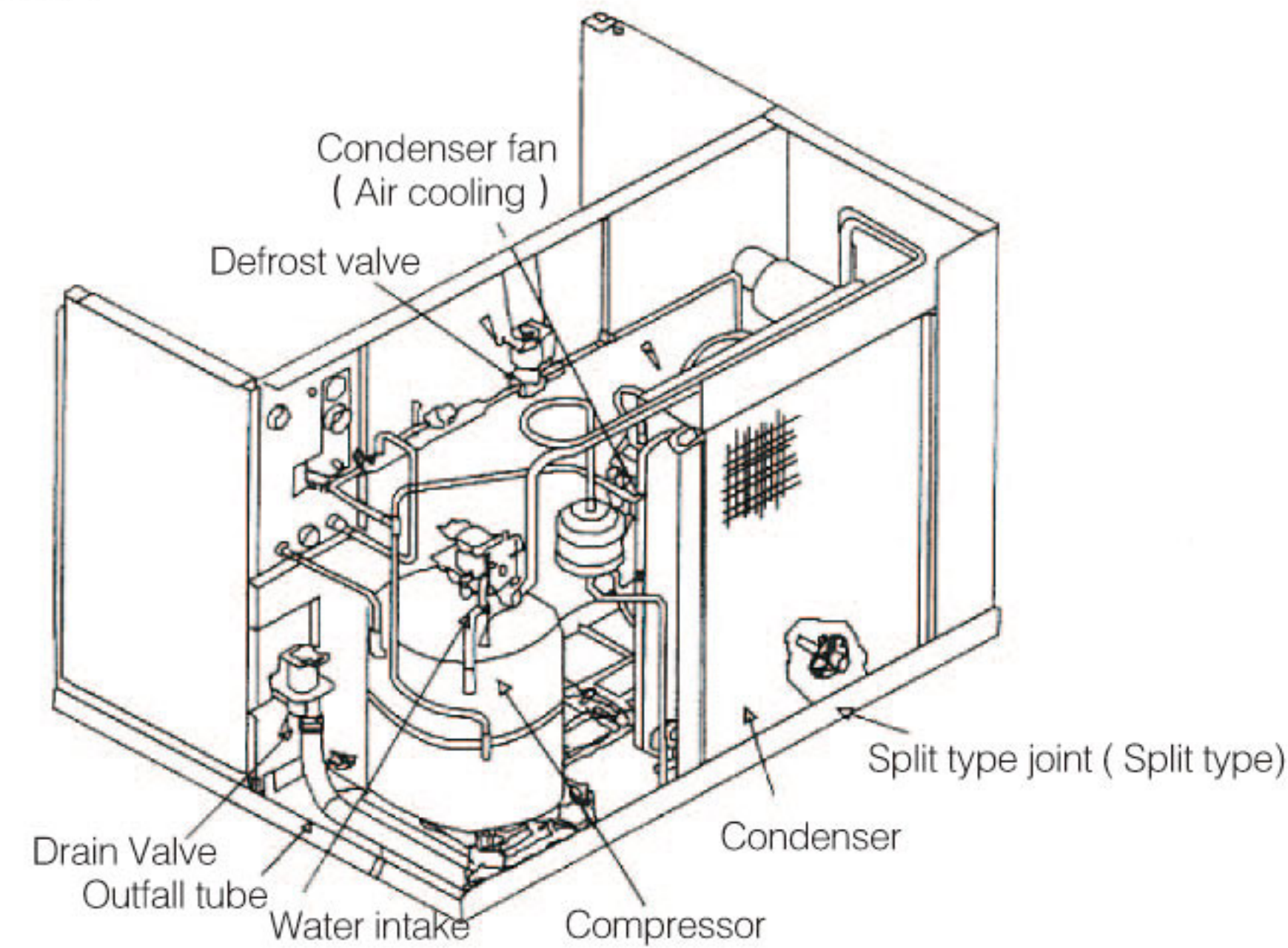
It is advised to clean the water circuit system regularly by a qualified professional to keep the ice maker clean.

p.s. The user can turn the controlling switch to "ice making" or "off" when cleaning. Only a qualified professional is allowed to clean the water circuit system when the switch is on "cleaning".

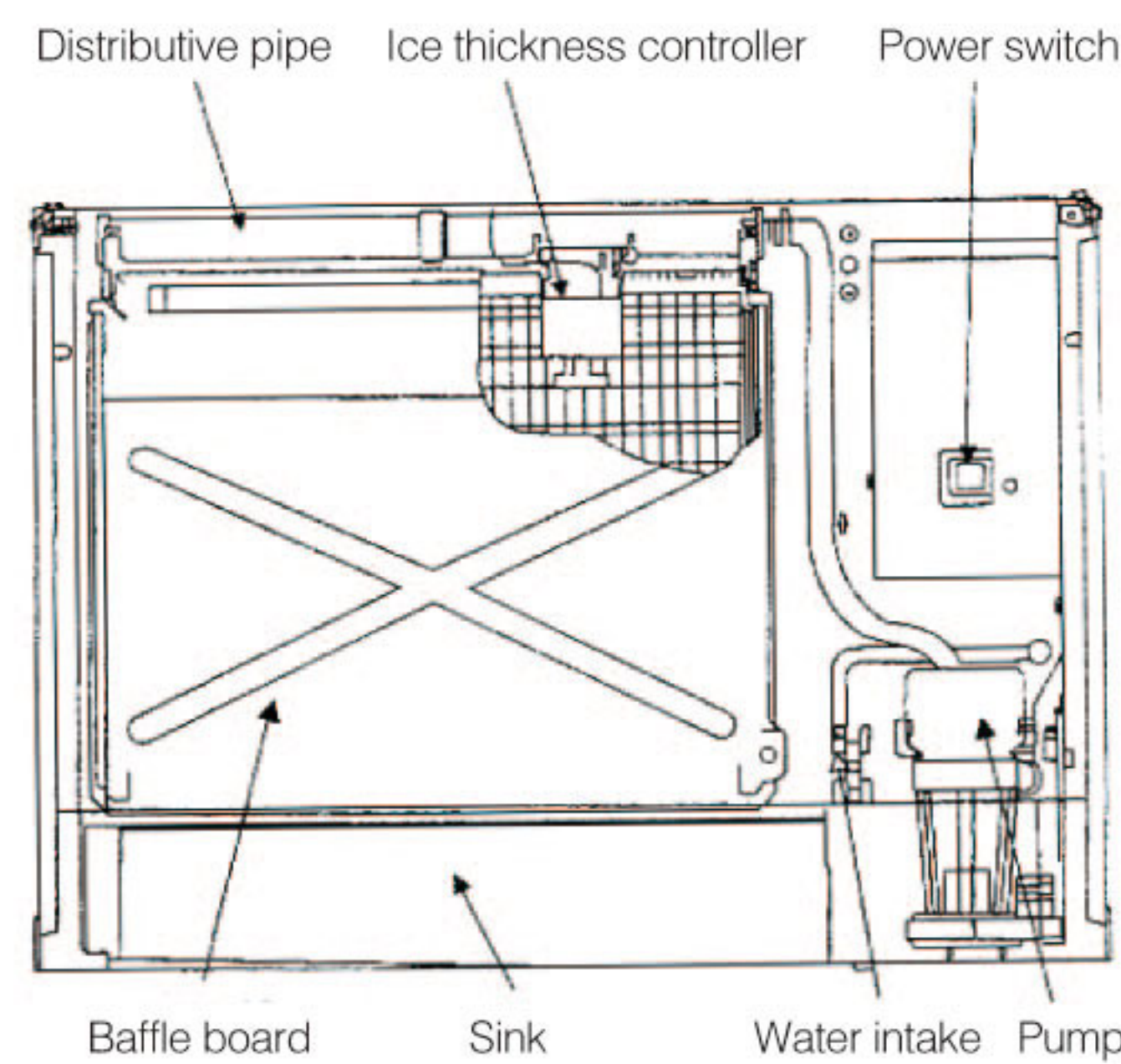




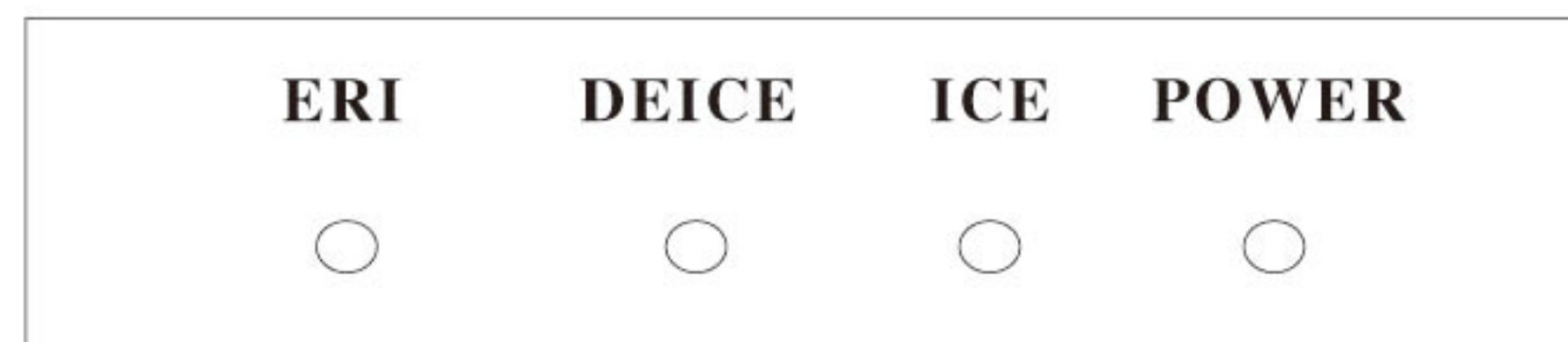
1.The back view of ice maker



2.The front view ice maker



Light indication



**Function instruction:**

- The POWER light is on: the machine is making ice or ice full
- The ICE light is on: the machine is making ice
- The DELEC light is on: the machine is falling ice
- The ERI light is on: the machine is fault

**Important**

1. Keep the manual properly; it is an indispensable part of the product. Please read through the installation, safety and maintenance directions and warnings carefully and retain them for future reference.
2. Ice Machine is a business machine, only applicable to its designed purposes. Any inappropriate usage or misuse may involve danger and the manufacturer will not be responsible for any consequences caused by such usage.

一、 Installation instructions

**Important**

This product can only be fixed according to the operation rules and by a proper qualified person.

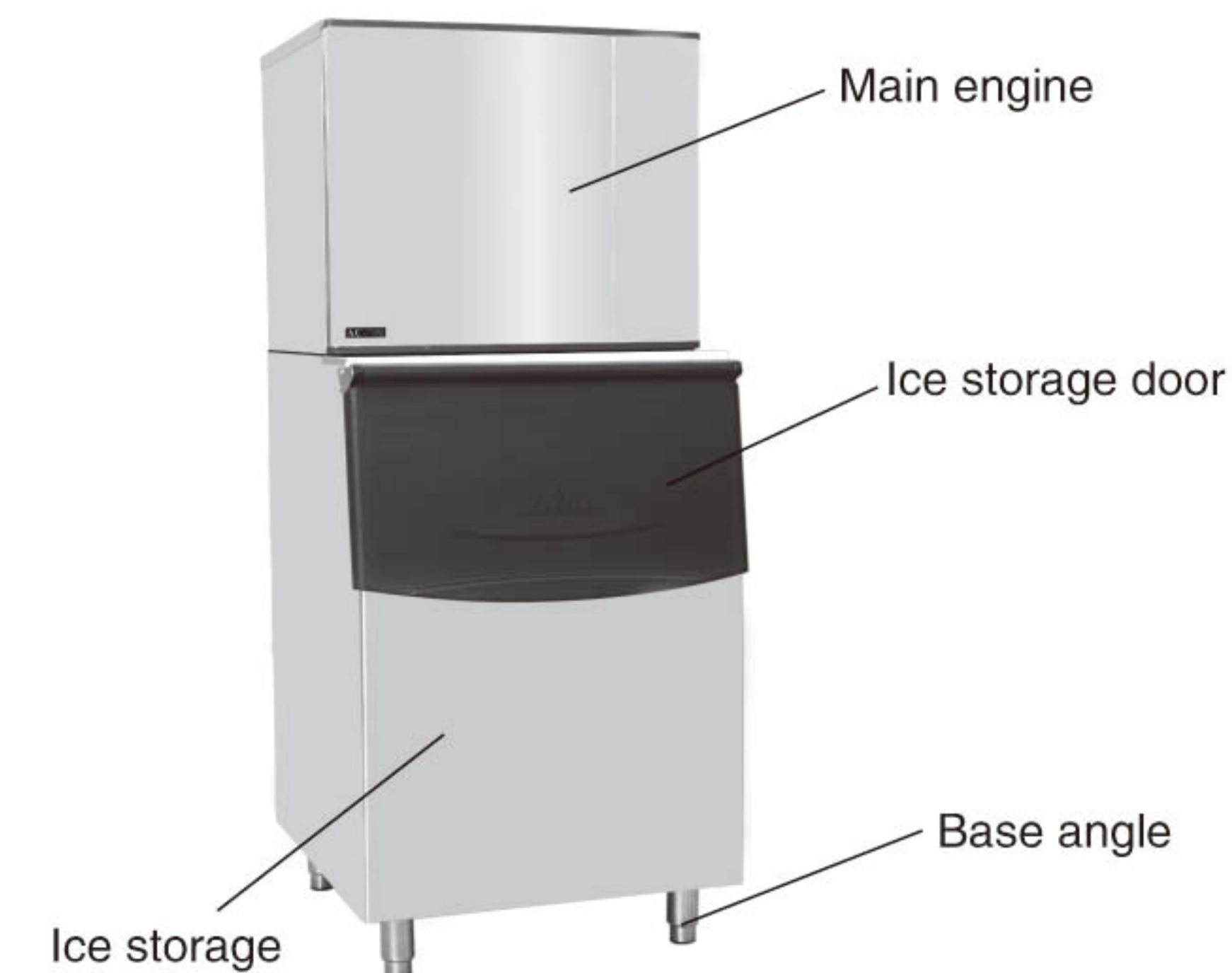
1.Open boxes

**Warning**

Keep the packaging material (such as plastic bags and EPS) away from the kids.

**Warning**

Remove all the packaging materials including paper boxes for transportation and the tape. Any packaging material left inside the ice maker may cause accidents.



- 1) Please check if the ice maker is damaged after removing the packaging. Should you have any doubts or problems, stop installing and contact a proper qualified person.
- 2) Remove the tape used for fixing the icemaker door.
- 3) Rip off the protection plastic. If the ice maker is overexposed in the sun or in high temperatures, remove the plastic used for protection after the icemaker cools down.
- 4) Take out and check the components kit.
  - a)Water supply tube
  - b)Ice scoop
  - c)Footings
  - d)Water discharge tube
  - e)Filter
  - f)Plastic connectors

2.Installation environment

**Important**

1. The ice maker is not for outdoor use. The normal applied temperature is 2°C–43°C. The normal water supply temperature is 1°C–35°C. An overtime use beyond the temperature limits will affect the machine life.
2. Keep the ice maker away from heat sources such as ovens, stoves or other equipments.
3. Install the ice maker on sturdy level ground.
4. For ventilation and maintenance, a 15cm gap must be maintained between the appliance sides, rear and top and the wall.
5. The ice maker should not be installed in a damp or humid environment with dripping water.
6. No objects should be put on top of the ice maker and in front of the ventilation grille.
7. Do not start the ice maker in an environment below 0°C and drain the water in it in case of damage to water supply tube.

3.Installation

\*Improper or wrong ways of installation may cause damage to people, animals and the equipment. The manufacture is not responsible for this kind of damage.



\* Please install the ice maker in a fixed position.

\* The ice maker must be installed where the mains lead is within reach.

## 4. Electrical Connections

### Important

This ice maker must be connected with earthed electrical supply

This ice maker must be connected with earthed electrical supply according to the electrical safety standards in the country or region where it is installed in case of any equipment damage or electric shock. Please pull the mains electricity lead off the socket before maintenance or cleaning.

\* The appliance must be connected to 220–240 Voltage

\* The appliance is protected with a maximum 5A fuse. The fuse must be changed by a proper qualified person.

\* The installation should be conducted by a professional electrician or an authorized person.

\* The mains electricity lead and power cable must be changed by a qualified person.

## 5. Water Supply and vent

\* The ice maker only uses edible water.

\* The water supply pressure is 0.5–8 bar. Reducing valve must be installed when the pressure is over 8 bars to prevent a twisted water supply tube.

\* In some regions, the installers of water supply and discharge equipments must have plumber credentials.

\* Water should be discharged into an open drain.

\* Keep enough slope and gap because the water is discharged by force of gravity.

\* In order to prevent the drain off water flow back to ice storage, Please connect water discharge tube ( as in diagram 2).

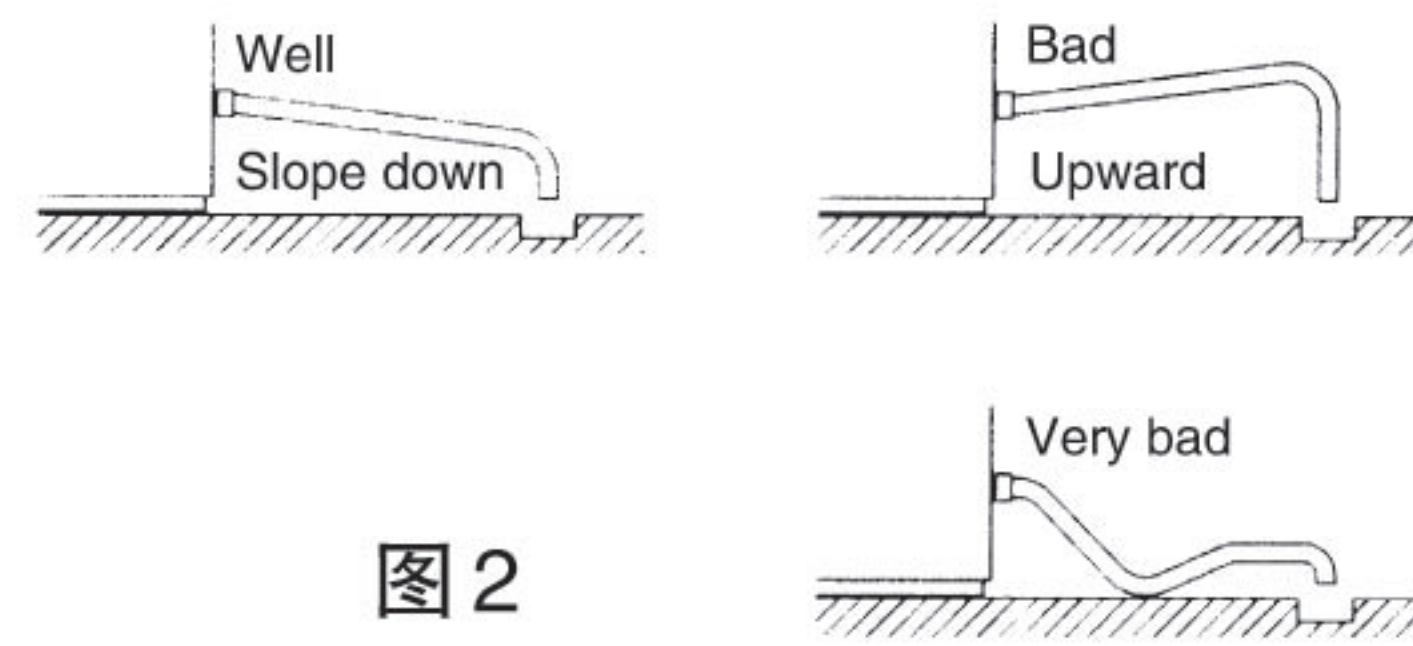


图 2

- 1) Connect one end of the tube with the water tap (as in diagram 4). Make sure the plastic padding is fixed in the right position before connection. It is advised to install a stop valve in a reachable position.
- 2) Connect the white drain tube with the water intake in the back of the ice maker, connect the green outfall tube with the outfall in the back of the ice maker, connect the black outfall tube with the outfall of ice storage and make sure the rubber padding are fixed in the right position in case of water leaks.

p.s. the connection parts of the hose must conform to edible water standards.

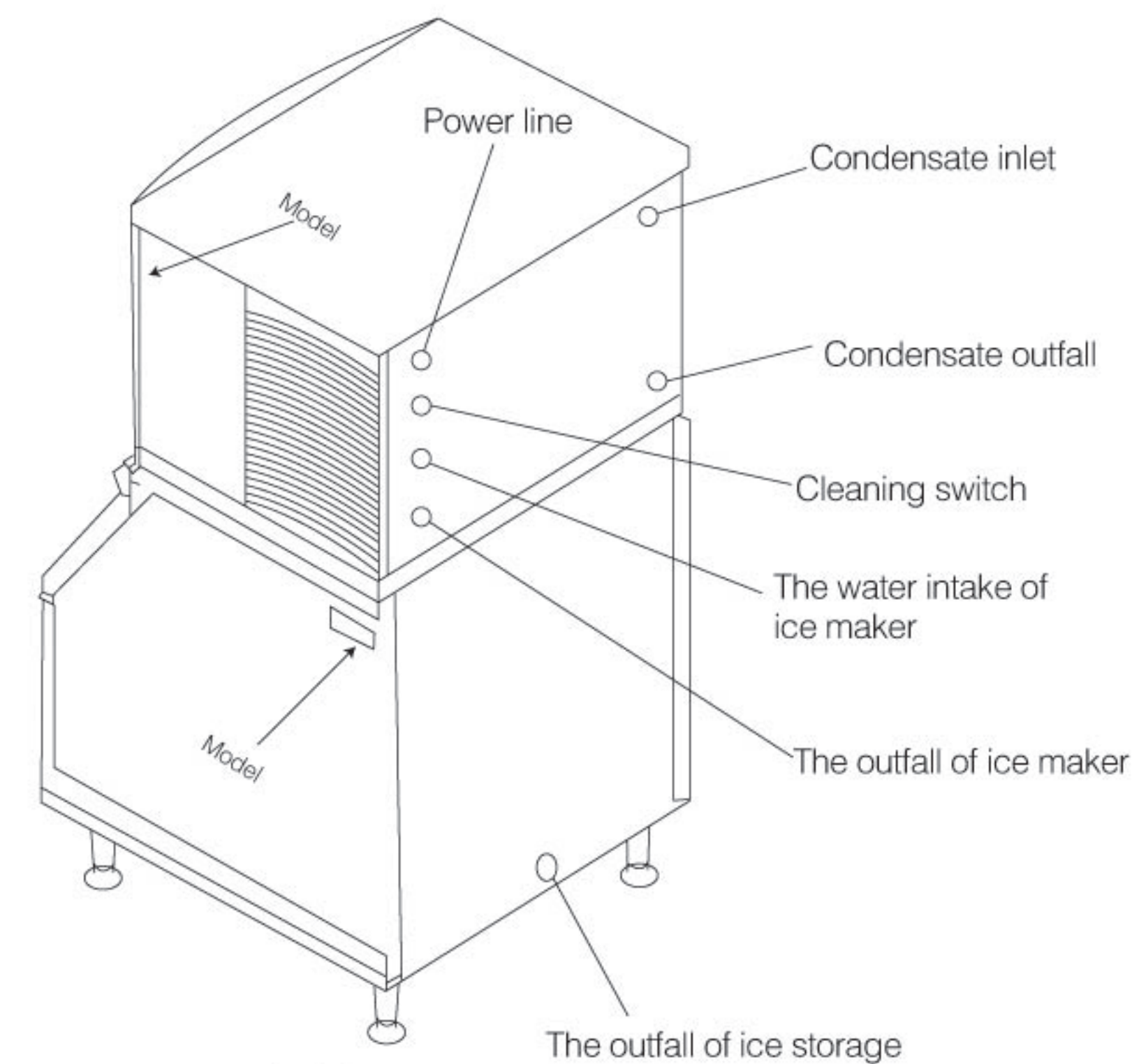


图 3

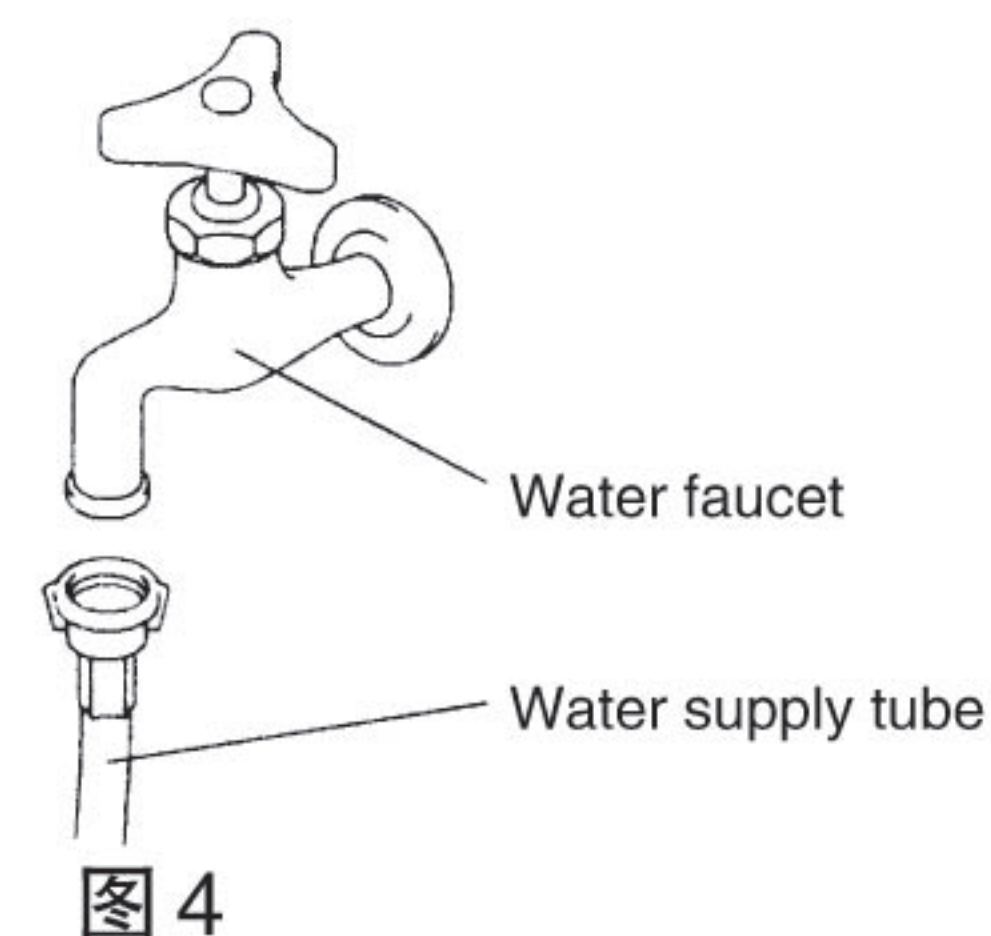


图 4

## 二、 Operating instructions

### Important

1. This ice maker produces and preserves edible ice cubes. In order to keep the ice maker clean, the following things are required:
  - Wash hands before taking ice cubes and use the ice scoop.
  - The ice cube basket can only be used for storage of ice cubes.
  - Clean the ice cube basket before use.
  - Keep the ice scoop clean and wash it with neutral detergent.
  - Close the basket door after each take of ice cubes to prevent dust and flies into it.
2. Basic rules for any electrical appliance:
  - High degree of humidity will increase danger of short circuit and electric shock. Cut the electricity off should you encounter any doubts.
  - Do not pull the mains electricity leaf hard.
  - This ice maker is prohibited from use by unguarded kids, aged and disabled people.
3. All components and parts have been tested and adjusted at the factory. Improper testing or adjustment may cause faults.
4. The ice maker should be restarted 3 minutes after it is turned off to prevent compressor damage.

## 1. Operation

The ice maker is preset to automatically make ice after you start it. For continued operation, please make sure:

- You turn on the water supply tap.
- The ice maker is connected to the mains electricity.
- The controlling switch is on “ice making”.

## 2. Long period of time not to use

- 1) Make sure the controlling switch is on “off” .

- 2) Pull off the electricity leaf or cut off power.
- 3) Turn off the water supply tap and remove the water supply pump.
- 4) Take all the ice cubes out and clean the ice cube basket.
- 5) Disconnect the silica hose to drain the water out and then re-connect it to the right position.
- 6) Long period of time not to use or expose at 0°C or lower environment, take protective measures to ice maker.

## 三、 Maintain

### Warning

1. Cut off power (electricity) before any cleaning or maintenance.
2. The condenser should be checked and cleaned at least once a year by a trained maintenance person.
3. The ice maker cannot be cleaned with spraying water.
4. Do not clean or sterilize the ice maker with detergent containing alcohol. It may cause crack in the plastic parts.
5. The top plate or the ventilation grille can only be dismantled by qualified maintenance professionals.

## 1. Shell

Clean the shell of the ice maker with clean cloth at least once a week. Clean grease and dust with wet cloth of neutral detergent.



## 2.Clean and sterilize the ice scoop and door handles (every day).

- 1) Clean with a solution with a proportion of 11ml 5.25% sodium hypochlorite to 3L Water or with detergent recommended by our company.
- 2) Immerse the ice scoop in the solution for at least 3 minutes, rinse it completely with water and dry clean.  
  
p.s. cleaning the scoop with cloth may cause re-pollution.
- 3) Wash the door handles with neutral detergent and rinse clean with water.
- 4) Wipe the door handles with cloth soaked with the solution, rinse with water and dry clean.

## 3.Clean and sterilize the inside of the ice cube basket (every week).

- 1) Open the door of the ice cube basket and take out all the ice cubes.
- 2) Wash the inside shell with neutral detergent which does not contain fine granules and rinse clean with water.
- 3) Clean the inside with a cloth soaked in neutral detergent and then wipe it off with dry cloth.
- 4) Clean with a solution with a proportion of 11ml 5.25% sodium hypochlorite to 3 l water or with detergent recommended by our company.
- 5) Wipe clean the inside shell and door of the basket with a sponge or cloth soaked in the solution.
- 6) Wipe off all the solution with clean cloth and close the door.

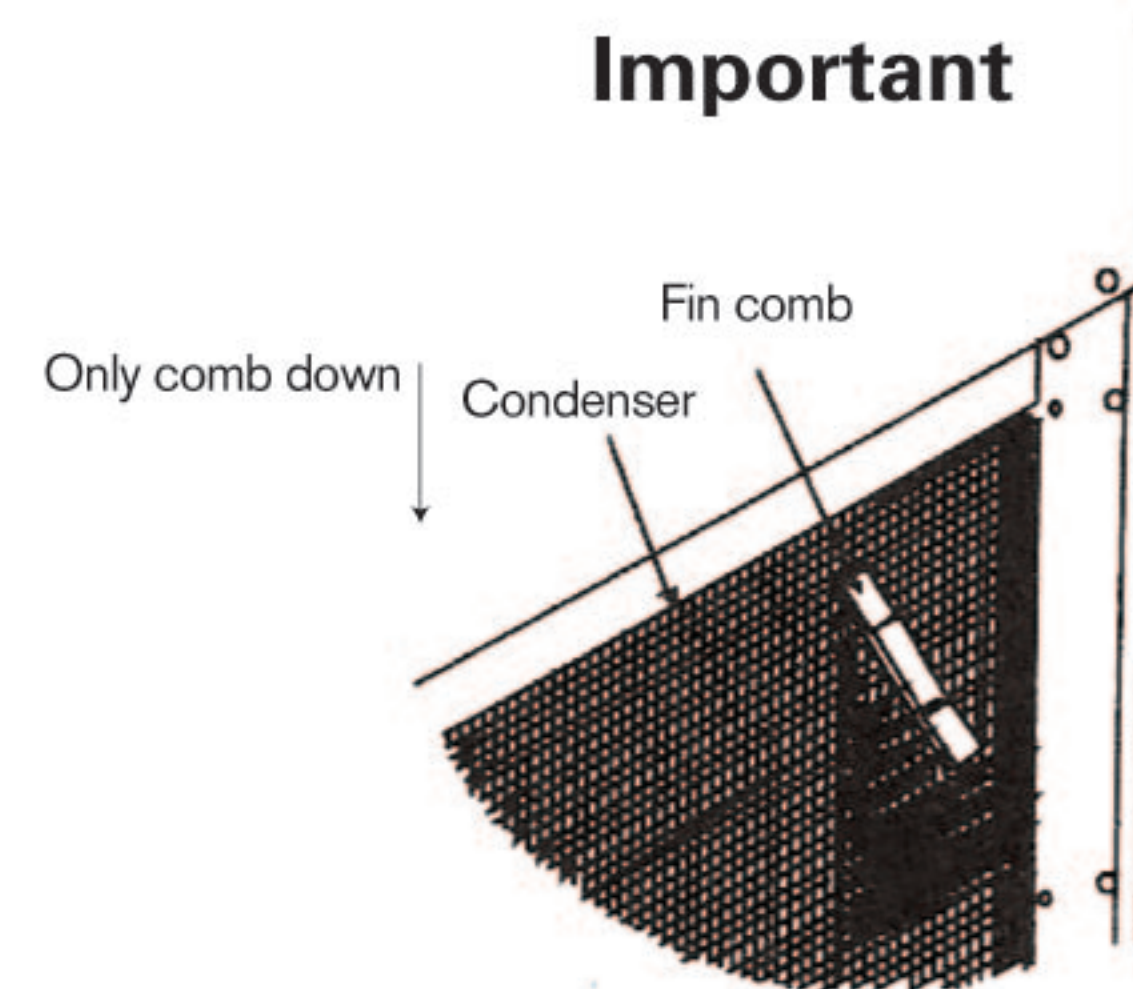
p.s. Some solution may cause damage to the surface of the inside shell or corrode metal parts. All the solution must be completely wiped off after cleaning unless our company has specific requirements.

## 4.Air Filtering Screen

The plastic filtering screen in the ice maker is used to block the dust in the air and prevent a blocked condenser, which may affect the quality of the ice.

The filtering screen should be taken off and cleaned at least twice a month.

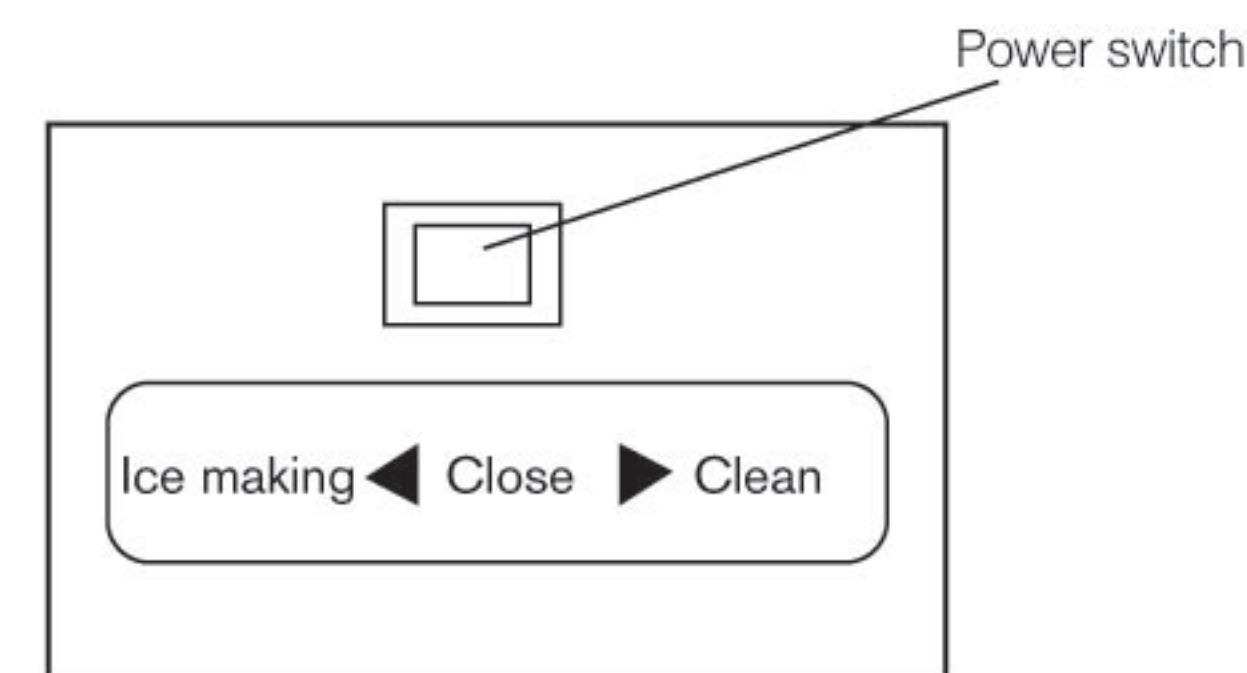
- 1) Take off the filtering screen. (Do not put your hands inside the ice maker.)
- 2) Clean the filtering screen with a vacuum cleaner. Clean with neutral detergent if it is seriously blocked up.
- 3) Wash off the detergent with water, dry clean and prefix it to the right position.



## 5.Water Circuit System

It is advised to clean the water circuit system regularly by a qualified professional to keep the ice maker clean.

p.s. The user can turn the controlling switch to “ice making” or “off” when cleaning. Only a qualified professional is allowed to clean the water circuit system when the switch is on “cleaning”.



Should you encounter any problems in using the ice maker, please check the following details before repair claim.

| Phenomena   | Possible Reasons   | Suggestion for Modification                                       |
|---|--|---|
| Not working   | The ice maker is not connected with electricity supply                         | Change the fuse/ turn the switch on                               |
|   | Switch protection under high voltage   | Clean the dirty filtering screen or the condenser                 |
|   | The switch is not in the right position  | Turn the switch to “ice making”                                   |
|   | The water block board is stuck   | Make sure the water block board can be closed and opened          |
| The ice maker stops   | An operation beyond the safety limits is conducted<br>Re-start the appliance   |   |
| The ice cubes do not fall   | Dirty ice maker  | Clean and sterilize the ice maker                                 |
|   | The ice maker is not placed on level ground                                    | Place the ice maker on level ground                               |
|   | Low surrounding temperature  | The minimum temperature is 1℃                                     |
| The ice maker cannot be switched to “ice outputting”              | 6-minutes freezing lock is not over  | Waiting for freezing lock is over                                 |
|   | The ice cube thickness sensor is dirty   | Clean and sterilize the ice maker                                 |
|   | The ice cube thickness sensor is not connected to the mains electricity supply | Connect the sensor to the mains supply                            |
|   | The ice cube thickness sensor is not properly adjusted                         | Readjust the sensor   |
|   | The ice layers are not even  |   |
| Filthy or soft ice cubes  | Low-quality supplied water   | Contact a qualified company to test the quality of supplied water |
|   | Low-quality water filter   | Change the filtering core   |
|   | Dirty ice maker  | Clean and sterilize the ice maker                                 |
|   | The drain plug does not function   | Repair the water softening apparatus                              |
| The ice cubes are too thin or do not form on the evaporative coil | The ice cubes thickness sensor is not properly adjusted                        | Readjust the sensor   |
|   | Dirty water pump filtering screen  | Clean the filtering screen  |
|   | Dirty water filter   | Change the filter core  |
|   | The water is too hot   | Connect the ice maker with cold water                             |
|   | The water pump does not work   | Change the water pump   |
|   | Pumping pressure too low   | Keep the water pressure between 130-550KPA                        |
|   | The ice maker is not placed on level ground                                    | Place it on level ground  |
|   | Outflow of water in the drain  | Check if the drain is leaking                                     |
| Low volume of ice cubes output                                    | Dirty filtering screen of the water pump                                       | Dismantle the water pump and clean the filtering screen           |
|   | The mains water tap is not turned on   | Turn on the water tap   |
|   | Leaking water pump   | Change water pump   |
|   | Dirty condenser  | Clean the condenser   |
|   | High surrounding temperature   | Keep the temperature below 40℃                                    |
|   | Limited gap around the ice make  | Keep enough gaps  |
|   | Too many objects around the ice maker  | Remove the surrounding objects for better air circulation         |
|   | Windproof board was be fix   | Install windproof board   |

p.s. The ice maker our company produces is set to restart after malfunctions or faults for safety and protection. Please contact our company if it still does not work after re-starting.