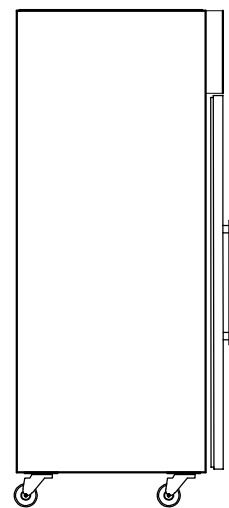
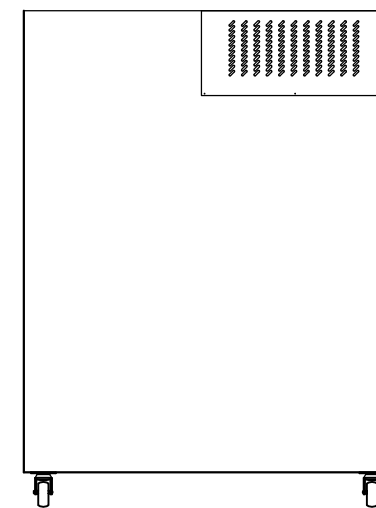
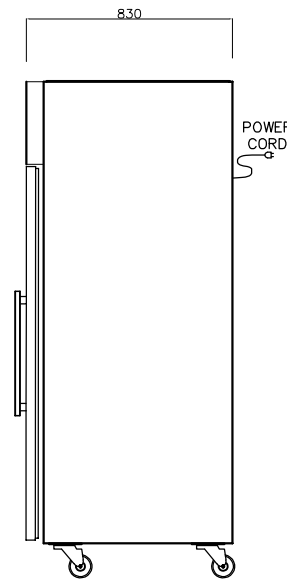
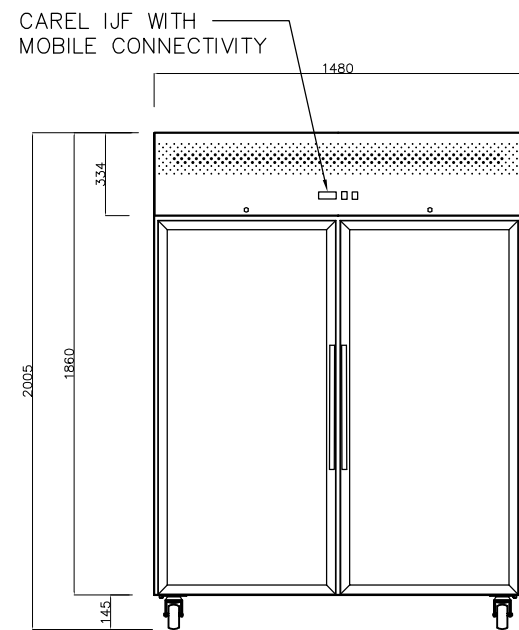
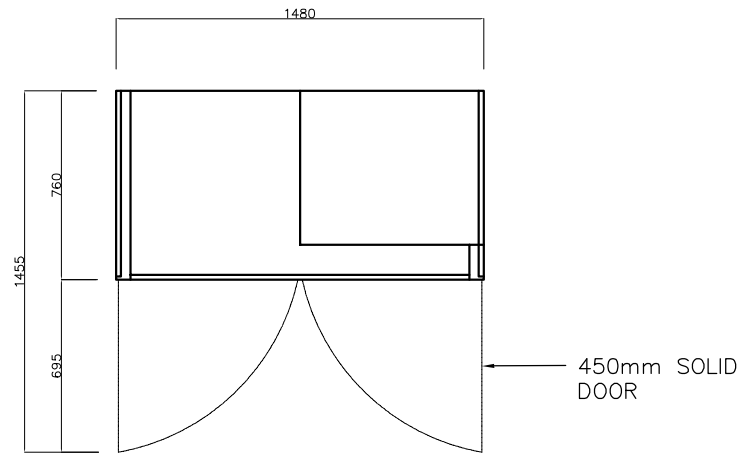




5-11 Garfield Street  
 Richmond Vic 3121  
 Phone: 03 9416 4667  
 Email: sales@agequipment.com.au  
 Website: www.agequipment.com.au



CABINET DIMENSIONS:

	EXTERNAL	INTERNAL
Width (mm)	1480	1360
Depth (mm)	830	700
Height (mm)	2010	1400
Floor Area(m <sup>2</sup> )	1.2284	

ELECTRICAL REQUIREMENTS

Electrical Power (W)	500
Electrical Voltage (V)	220-240
Electrical Ampere (A)	2.95
Electrical Frequency (Hz)	50

VENTILATION REQUIREMENTS

Ventilation will be required at the top of the appliance  $\geq 500$ mm.

DIMENSION TOLERANCES:

Allowances for cabinets are to be between -10mm to +10mm unless noted otherwise

MODEL:  
**GNX1400TNG**

DESCRIPTION:  
 1300L Upright Double Glass Doors  
 Stainless Steel Fridge