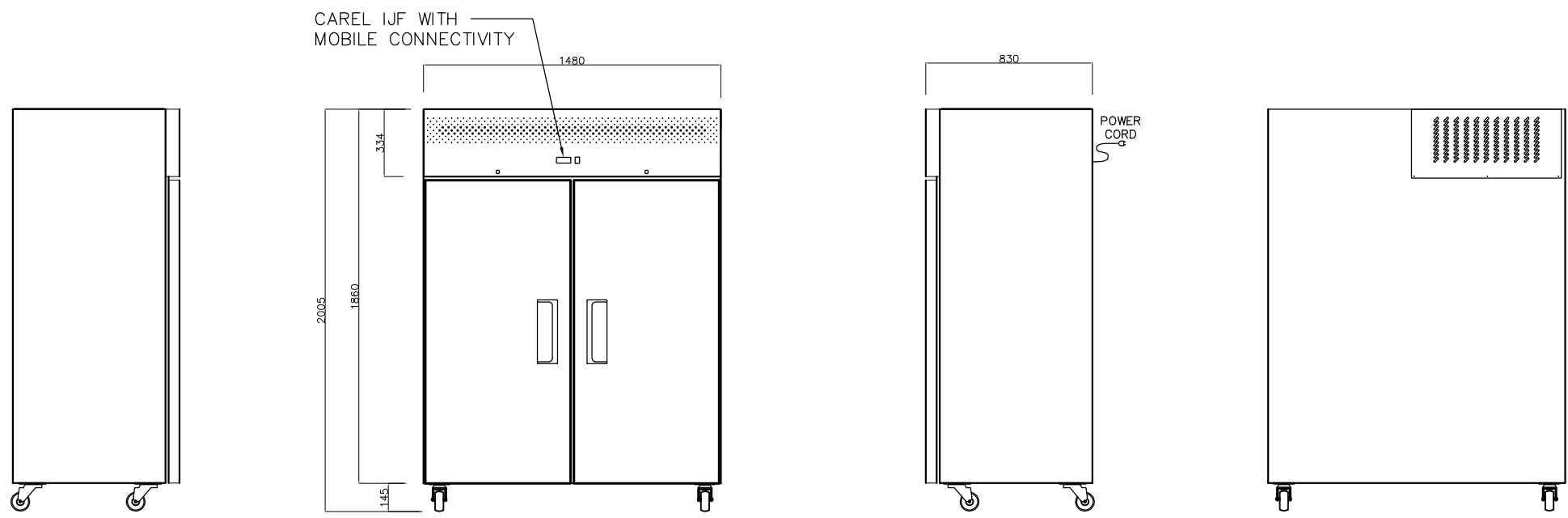
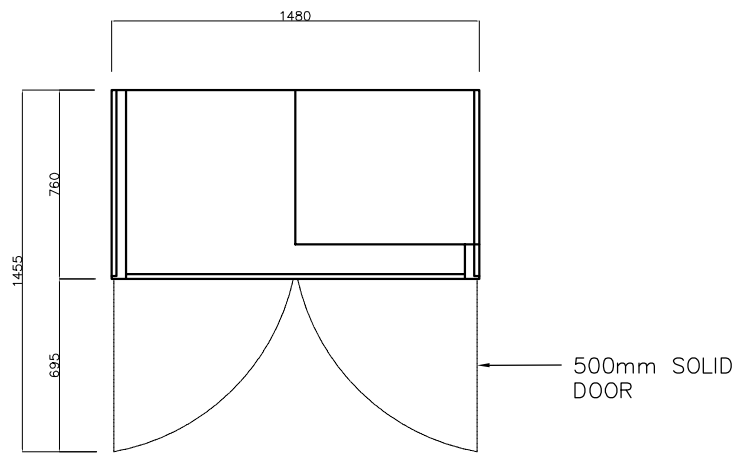




5-11 Garfield Street
 Richmond Vic 3121
 Phone: 03 9416 4667
 Email: sales@agequipment.com.au
 Website: www.agequipment.com.au



CABINET DIMENSIONS:

	EXTERNAL	INTERNAL
Width (mm)	1480	1360
Depth (mm)	830	700
Height (mm)	2010	1400
Floor Area(m ²)	1.2284	

ELECTRICAL REQUIREMENTS

Electrical Power (W)	500
Electrical Voltage (V)	220-240
Electrical Ampere (A)	2.95
Electrical Frequency (Hz)	50

VENTILATION REQUIREMENTS
 Ventilation will be required at the top of the appliance ≥500mm.

DIMENSION TOLERANCES:
 Allowances for cabinets are to be between -10mm to +10mm unless noted otherwise

MODEL:
GNX1400TN

DESCRIPTION:
 1300L Upright Double Stainless Steel Doors Fridge