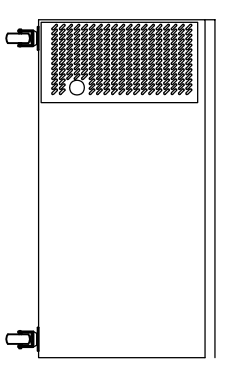
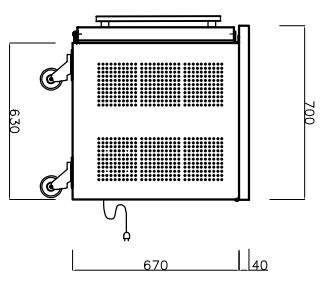
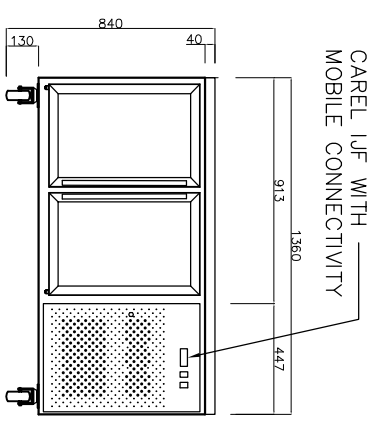
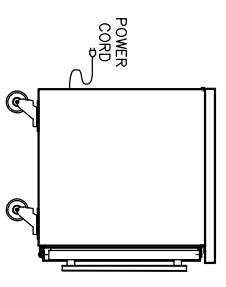
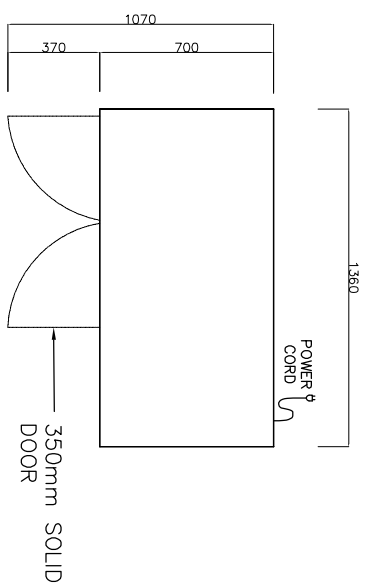




5-11 Garfield Street
 Richmond Vic. 3121
 Phone: 03 9416 4667
 Email: sales@agequipment.com.au
 WEBSITE: www.agequipment.com.au



CABINET DIMENSIONS:

	EXTERNAL	INTERNAL
Width (mm)	1360	795
Depth (mm)	700	580
Height (mm)	860	560
Floor Area(m ²)	0.952	

ELECTRICAL REQUIREMENTS

Electrical Power (W)	300
Electrical Voltage (V)	220-240
Electrical Ampere (A)	2.1
Electrical Frequency (Hz)	50

VENTILATION REQUIREMENTS
 Ventilation will be required at the top of the appliance z500mm.

DIMENSION TOLERANCES:
 Allowances for cabinets are to be between -10mm to +10mm unless noted otherwise

MODEL:
GNX2100TNG

DESCRIPTION:
 2 Glass Doors Commercial Worktop
 / Under Bench Fridge 700mm (d)