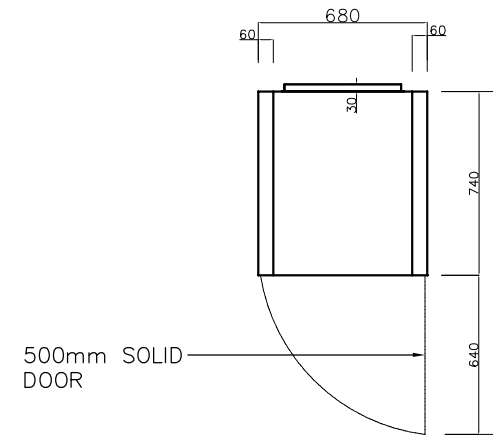
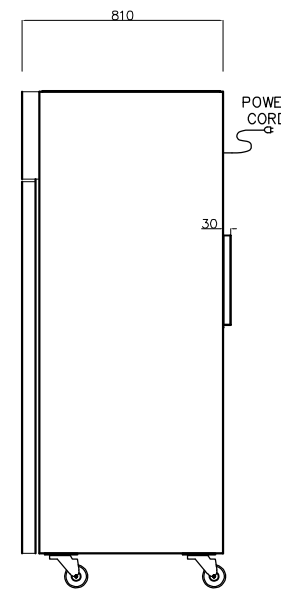
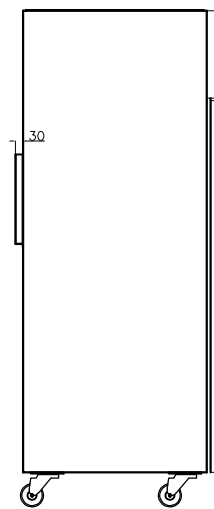
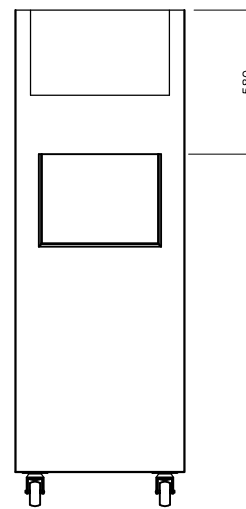
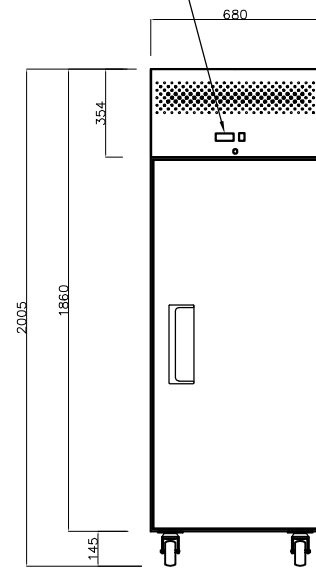




5-11 Garfield Street
 Richmond Vic 3121
 Phone: 03 9416 4667
 Email: sales@agequipment.com.au
 Website: www.agequipment.com.au



CAREL IJF WITH MOBILE CONNECTIVITY



CABINET DIMENSIONS:			
		EXTERNAL	INTERNAL
Width	(mm)	680	564
Depth	(mm)	810	682
Height	(mm)	2010	1414
Floor Area	(m ²)	0.5508	

ELECTRICAL REQUIREMENTS	
Electrical Power (W)	350
Electrical Voltage (V)	220-240
Electrical Ampere (A)	2.2
Electrical Frequency (Hz)	50

VENTILATION REQUIREMENTS
 Ventilation will be required at the top of the appliance \geq 500mm.

DIMENSION TOLERANCES:
 Allowances for cabinets are to be between -10mm to +10mm unless noted otherwise

MODEL:
GNX600TN

DESCRIPTION:
 600L Upright Single Stainless Steel Door Fridge