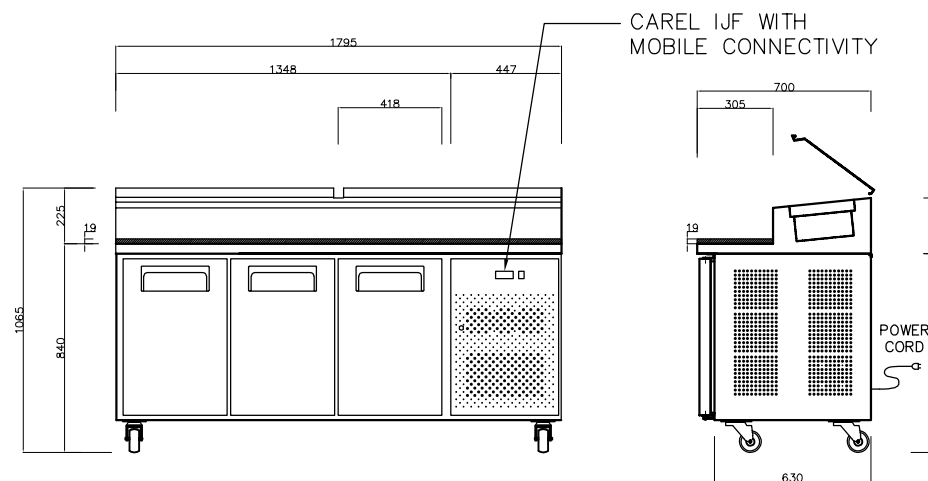
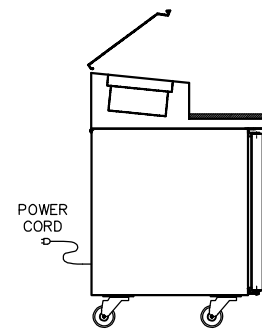
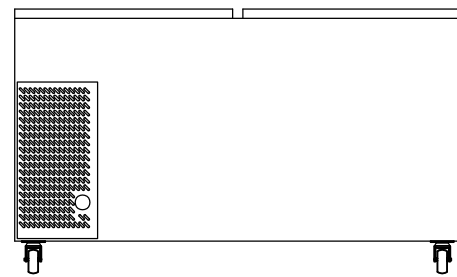
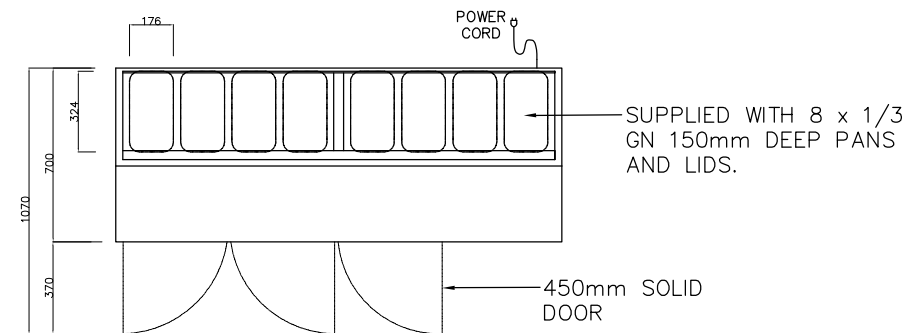




5-11 Garfield Street
 Richmond Vic 3121
 Phone: 03 9416 4667
 Email: sales@agequipment.com.au
 Website: www.agequipment.com.au



CABINET DIMENSIONS:		
	EXTERNAL	INTERNAL
Width (mm)	1795	1230
Depth (mm)	700	580
Height (mm)	1085	560
Floor Area(m ²)	1.2565	

ELECTRICAL REQUIREMENTS	
Electrical Power (W)	320
Electrical Voltage (V)	220-240
Electrical Ampere (A)	2.3
Electrical Frequency (Hz)	50

VENTILATION REQUIREMENTS
 Ventilation will be required compressor side or back ≥150mm.

DIMENSION TOLERANCES:
 Allowances for cabinets are to be between -10mm to +10mm unless noted otherwise

MODEL:
 SH3000-700

DESCRIPTION:
 3 Stainless Steel Doors Saladette Fridge - Fits 8 x 1/3 GN Trays