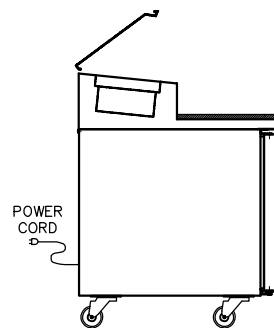
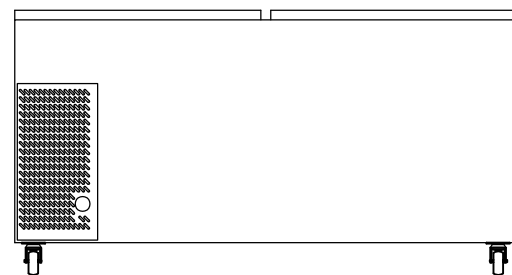
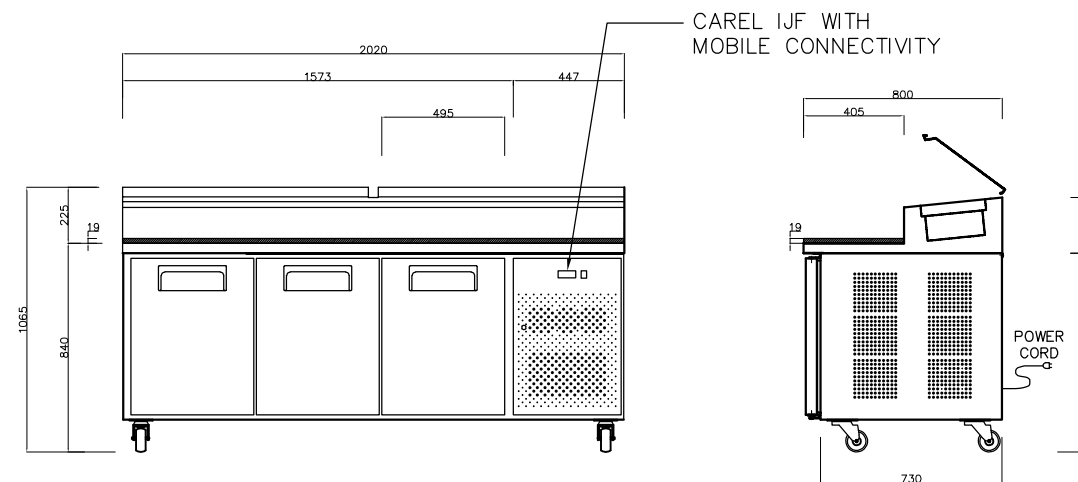
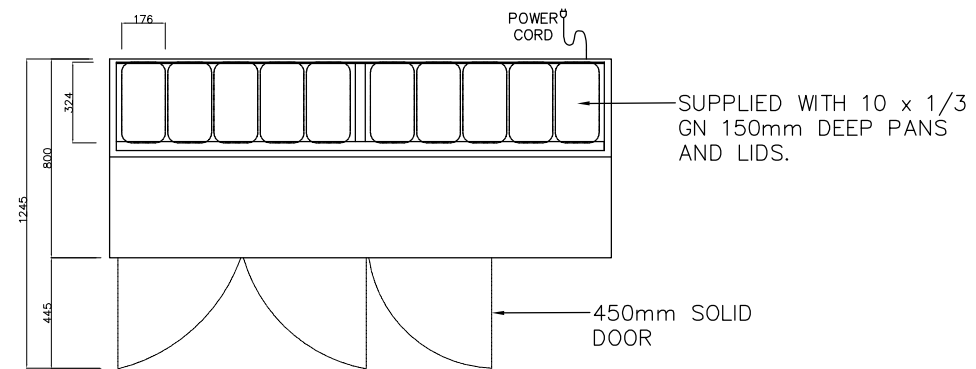




5-11 Garfield Street  
 Richmond Vic 3121  
 Phone: 03 9416 4667  
 Email: sales@agequipment.com.au  
 Website: www.agequipment.com.au



CABINET DIMENSIONS:

	EXTERNAL	INTERNAL
Width (mm)	2020	1455
Depth (mm)	800	680
Height (mm)	1085	560
Floor Area(m <sup>2</sup> )	1,616	

ELECTRICAL REQUIREMENTS

Electrical Power (W)	320
Electrical Voltage (V)	220-240
Electrical Ampere (A)	2.3
Electrical Frequency (Hz)	50

VENTILATION REQUIREMENTS

Ventilation will be required compressor side or back  $\geq$ 150mm.

DIMENSION TOLERANCES:

Allowances for cabinets are to be between -10mm to +10mm unless noted otherwise

MODEL:

SH3000-800

DESCRIPTION:

3 Stainless Steel Doors Saladette Fridge - 10 x 1/3 GN Trays