



# TC22 TC12 MEAT GRINDER

## I. Brief Introduction:

Our company produced the meat grinders, which have the high technology and excellent design, contain Such advantages:

1. Totally-enclosed gear moving, compact construction and Stable operation.
2. Health is our company'S main aim, in TC12, the part that touch the food and the Whole body are made of stainless steel. No sharp edge or easy pollution crack. MeanWhile TC12 is easy to clean and attractive profile.
3. Motor is easy to install and maintenance.
4. High meat production.

## II. Brief Technical Indicators:

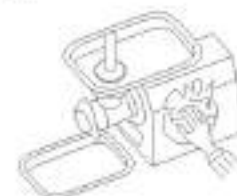
Model	Voltage V	Rated Hz	HP Rate KW	Input Rated KW	IPNO	AmOUnt Kg/h	Net Wagh
Tc12	110V/220V	60Hz/50Hz	0.55KW	0.55KW	IPX1	120kg/H	30 KG
Tc22	110V/220V	60Hz/50Hz	0.9KW	0.9KW	IPX1	220kg/H	36 KG

## III. Operating Instructions

1. Insure the input voltage is according to the rated voltage. Ground electricity line should reach the ground: just put the plug in the socket. The current of the fuse shouldn't less than 3.5A.
2. Back out and clean the parts of the meat grinder, then set up every parts and fix the handle tightly.
3. Get rid of the surface and bone of the meat, then slice the meat for piece. Which make the size of the meat is the same as the feeder hole.



4. Use the stomper to put the meat into the feeder hole, do not use the other tools instead the stomper.
5. After finished the operation, blackouts and clean every part of the machine for preventing the bacterial growth.
6. If meat do not produce fluency or become to paste, maybe is the following reason:
  - 1) The screw is not fixed tightly, which lead the knife connect with the round knife badly, should readjust the screw.
  - 2) The round knife is abstracted, should be cleaned.
  - 3) The knife is not sharp, should sharpen or changes it.

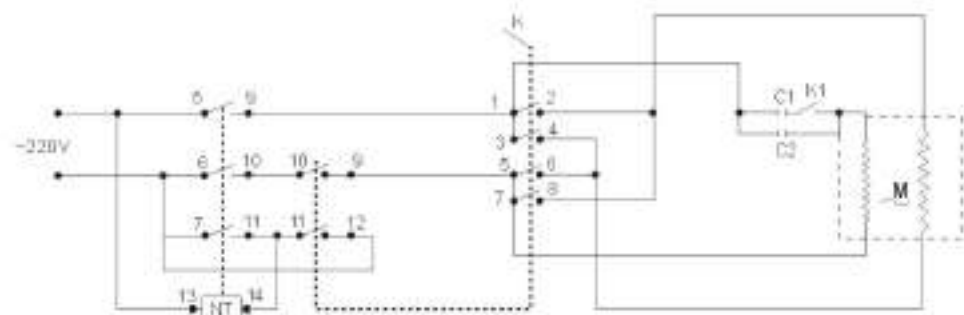


## IV: Safeguard:

1. According to every operating procedure to clean the machine completely, using a wet cloth to clean the covering.
  2. Adding lubricating oil into the screw hole of oil seal in the drive chest, use around half a year.
  3. Preventing to damage the knife, sharp or change it when needed.
- Warning: Do not use the water directly to clean the machine.
- Attention: This machine has a super-burden motor for using as the automatic protecting equipment.

When the motor is beyond the burden or obstacle, the power of the motor will be cut off for protecting the motor. The all-purpose transform switch have triple function, it need to be restarted when restart the machine after electricity was cut off.

**V: Appliance of Principle Chart:**

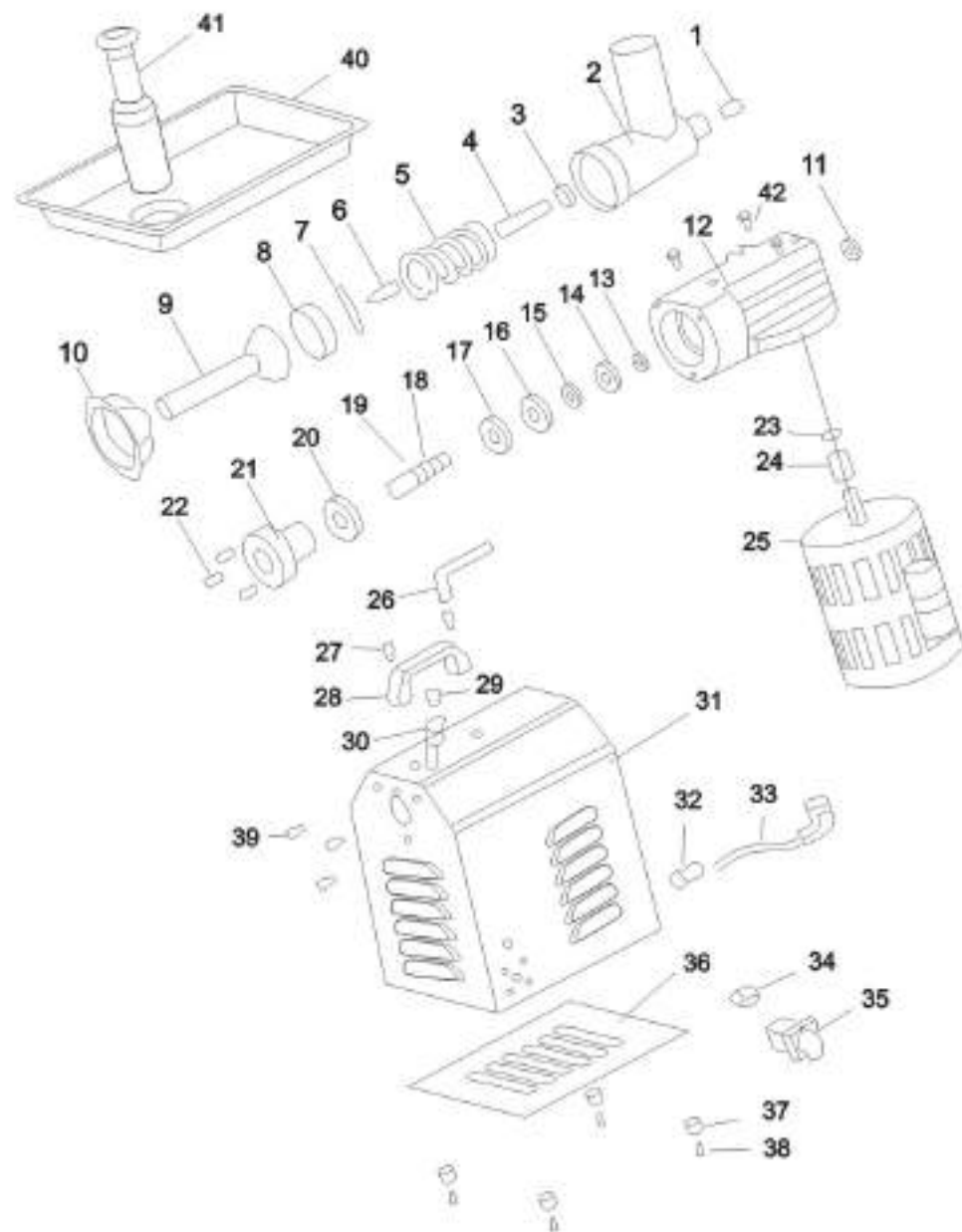


1	K	Relay
2	K	Change-over switch
3	K1	Motor centrifugal switch
4	C1	Starting Capacitor
5	C2	Running capacitor
6	M	Single phase alternating current motor

**Symbol introduction:**

1	K	Relay
2	K	Transform Switch
3	K1	Electrical Centrifugal Switch
4	C1	Starting Capacitor
5	C2	Moving Capacitor
6	M	One-side Interflowing Motor

**Note:** This chart above just for consulting, if there is no inform in advance, it can be change. **Parts List:**



### Part list

Ref.	Number of Parts		Name	Amount
1	2201	1201	Copper Case	1
2	2202	1202	Main Body	1
3	2203	1203	Nylon Spacer	1
4	2204	1204	Screw Feeder Drive	1
5	2205	1205	Screw Feeder	1
6	2206	1206	Square Auger Stud	1
7	2207	1207	Four-piece Knife	1
8	2208	1208	Round Knife	1
9	2209	1209	Stuffing Plate	1
10	2210	1210	Retaining Ring	1
11	2211	1211	Oil Seal Screw	1
12	2212	1212	Drive Chest	1
13	2213	1213	Block Reed	1
14	2214	1214	Bearing	1
15	2215	1215	Bushing	1
16	2216	1216	Wheal	1
17	2217	1217	Bearing	1
18	2218	1218	Flat Key	1
19	2219	1219	Wheal Axle	1
20	2220	1220	Skeleton Oil Seal	1
21	2221	1221	Link Case	1

### Part list

Ref.	Number of Parts		Name	Amount
22	2222	1222	Inside Six-side Screw	3
23	2223	1223	Screw	1
24	2224	1224	Worm	1
25	2225	1225	Motor	1
26	2226	1226	Six-side Spanner	1
27	2227	1227	Inside Six-side Screw	2
28	2228	1228	Handle	1
29	2229	1229	Oil Seal Screw	1
30	2230	1230	Lock Screw	1
31	2231	1231	Motor Cover	1
32	2232	1232	Power Cable Bushing	1
33	2233	1233	Power Cable	1
34	2234	1234	Fuse Bushing	1
35	2235	1235	All-purpose Transform Switch	1
36	2236	1236	Bottom Cover	1
37	2237	1237	Rubber Feet	4
38	2238	1238	M6 Screw	4
39	2239	1239	Outside Six-side Screw	3
40	2240	1240	Stainless Steel Pan	1
41	2241	1241	Stomper	1