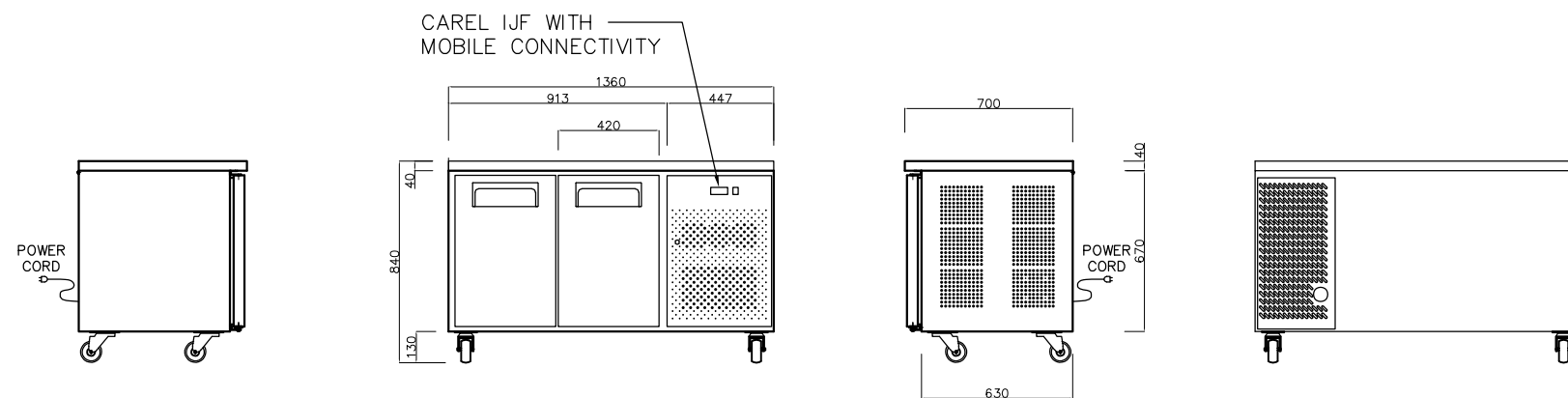
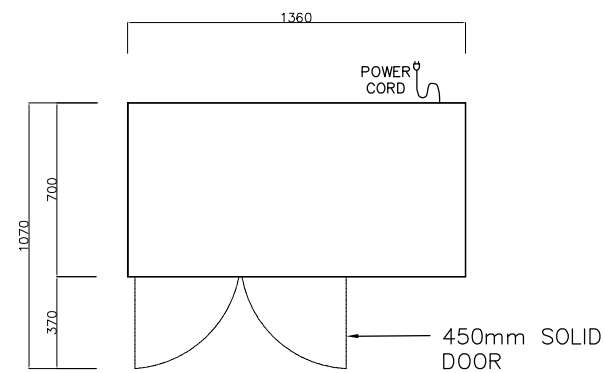




5-11 Garfield Street  
 Richmond Vic 3121  
 Phone: 03 9416 4667  
 Email: sales@agequipment.com.au  
 Website: www.agequipment.com.au



**CABINET DIMENSIONS:**

		EXTERNAL	INTERNAL
Width	(mm)	1360	795
Depth	(mm)	700	580
Height	(mm)	860	560
Floor Area	(m <sup>2</sup> )	0.952	

**ELECTRICAL REQUIREMENTS**

Electrical Power (W)	300
Electrical Voltage (V)	220-240
Electrical Ampere (A)	2.1
Electrical Frequency (Hz)	50

**VENTILATION REQUIREMENTS**

Ventilation will be required compressor side or back  $\geq$ 150mm.

**DIMENSION TOLERANCES:**

Allowances for cabinets are to be between -10mm to +10mm unless noted otherwise

**MODEL:**

**GNX2100TN**

**DESCRIPTION:**

2 Doors Commercial Worktop /  
 Under Bench Fridge 700mm (d)