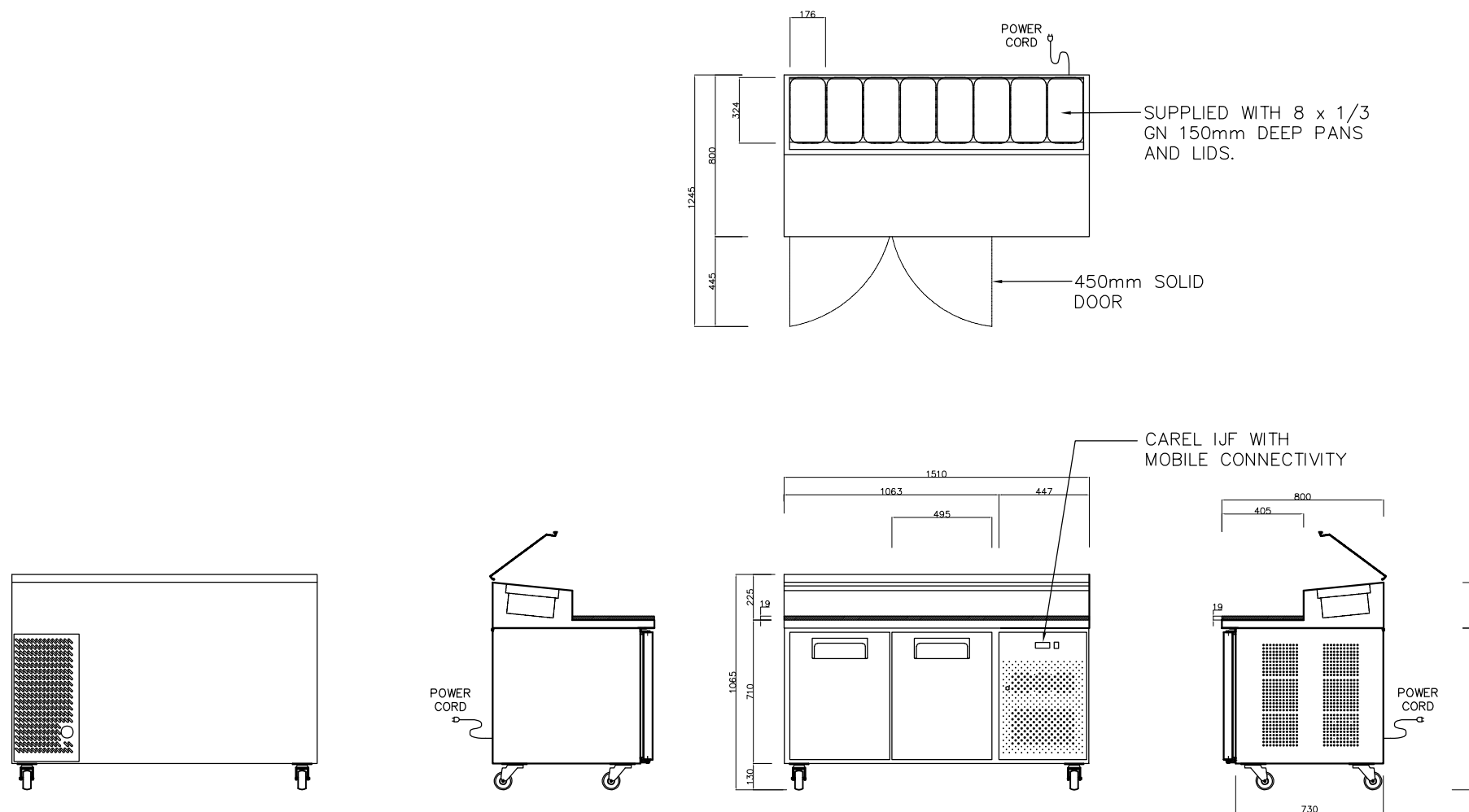




5-11 Garfield Street
 Richmond Vic 3121
 Phone: 03 9416 4667
 Email: sales@agequipment.com.au
 Website: www.agequipment.com.au



CABINET DIMENSIONS:

	EXTERNAL	INTERNAL
Width (mm)	1510	945
Depth (mm)	800	680
Height (mm)	1085	560
Floor Area(m ²)	1.208	

ELECTRICAL REQUIREMENTS

Electrical Power (W)	300
Electrical Voltage (V)	220-240
Electrical Ampere (A)	2.1
Electrical Frequency (Hz)	50

VENTILATION REQUIREMENTS

Ventilation will be required compressor side or back \geq 150mm.

DIMENSION TOLERANCES:

Allowances for cabinets are to be between -10mm to +10mm unless noted otherwise

MODEL:

SH2000-800

DESCRIPTION:

2 Stainless Steel Doors Saladette
 Fridge - 8 x 1/3 GN Trays